

Product Summary

The Motivation Dedicated Tricycle is hand powered. Built on the platform of the WM3 wheelchair it provides some postural support to the user. It has a height adjustable footrest, pedals and backrest so that the user can have an optimal riding position and maximum comfort. It has a basic cushion, sculpted backrest and comes with a built in rear carrier.

	Motivation Dedicated Tricycle
Product Code	WM3TR-01
Product Description	Hand powered dedicated tricycle
Manufacture	Made China under license from Motivation
Document Issue	7
Date of issue	17 June 2011

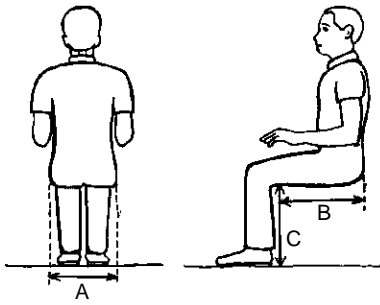


Overview

- The Motivation Dedicated Tricycle is a flat-packed active style hand powered tricycle based on the WM3 wheelchair platform.
- It consists of a tubular mild steel frame, with standard bicycle components.
- It has a single 20" pneumatic wheel at the front, parking brakes and running brake and inline pedal cranks for propelling by hand. It helps the user to travel greater distances with less effort. The user also gets some of same benefits featured on the WM3 wheelchair such as postural support and adjustable footrest.
- The tricycle has been designed so that it is easy to maintain or repair and uses many standard bicycle parts.
- One boxed flat-pack tricycle kit can be adjusted to suit most riders.
- The tricycle is individually assembled and fitted to each user by trained staff.
- The packaging is designed for easy disassembly for recycling or reuse.



Product user group



- The tricycle can be used by people with a range of mobility disabilities. It is most suited to people who have sensation. In general it is not recommended for people with a spinal cord injury.
- The tricycle is suitable for users whose body measurements fall within the following ranges:
 - A. Hip width: up to 470 mm
 - B. Buttock to back of knee: 430 - 540 mm
 - C. Back of knee height from bottom of feet: 310 – 430 mm
 - D. Backrest to center of fist on outstretched arm 680-750mm normal range but can vary outside this range
- Maximum user weight: 100kg (220lbs)

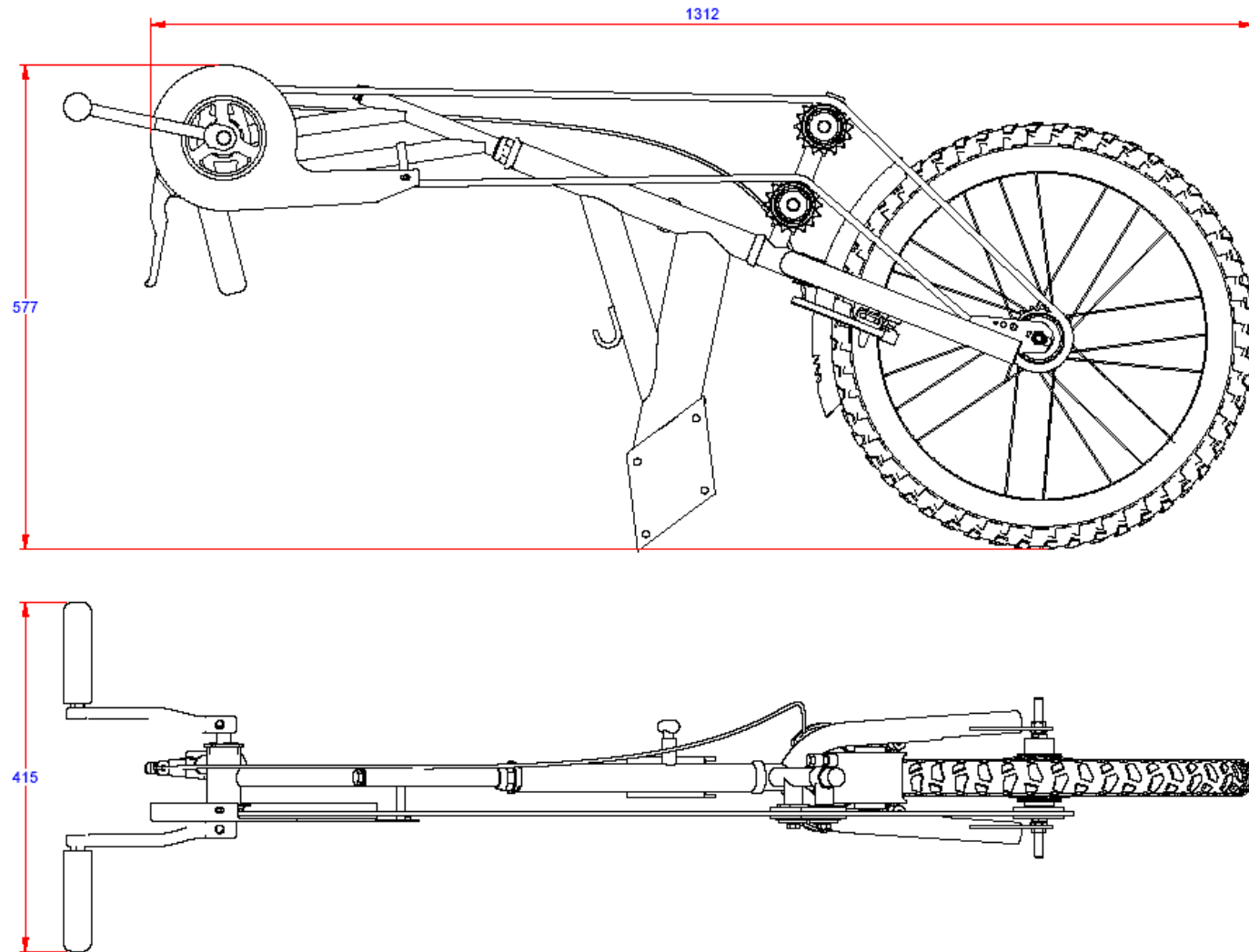
Environment

- The tricycle is designed for use over rough ground and most environments where a standard single speed bicycle would reasonably be expected to travel.
- The tricycle can also be used successfully in urban and semi-urban areas which often have similar road conditions and obstacles to rural areas.
- The tricycle is stable and rides easily over rough ground because it has a long wheelbase, 20" front wheel and cambered rear wheels. Users may still require assistance over extremely rough ground, high curbs or steep inclines.
- Although the tricycle is primarily for outdoor use it can be used indoors. Users may experience some limitations in confined spaces because of its long wheelbase.

	Clip-on drive adjustments
Seat width	470mm
Seat depth	400mm
Backrest angle	The backrest can be set to three angles - <i>upright</i> , <i>middle</i> & <i>back</i> with a total adjustment range of 8°.
Backrest height	Adjustable: 425mm (low backrest), 500mm (high backrest).
Footrest height	The footrest can be adjusted to 11 different heights with a range of 120 mm.
Footrest position	The footrest can be adjusted to suit different sitting postures, i.e. legs vertical or tucked – using <i>forward</i> and <i>backward</i> positions (65 mm difference).
Footrest angle	The angle of the footrest can be set to suit the individual's user's needs.
Pedal position	The pedal position can be adjusted horizontally along the main beam.

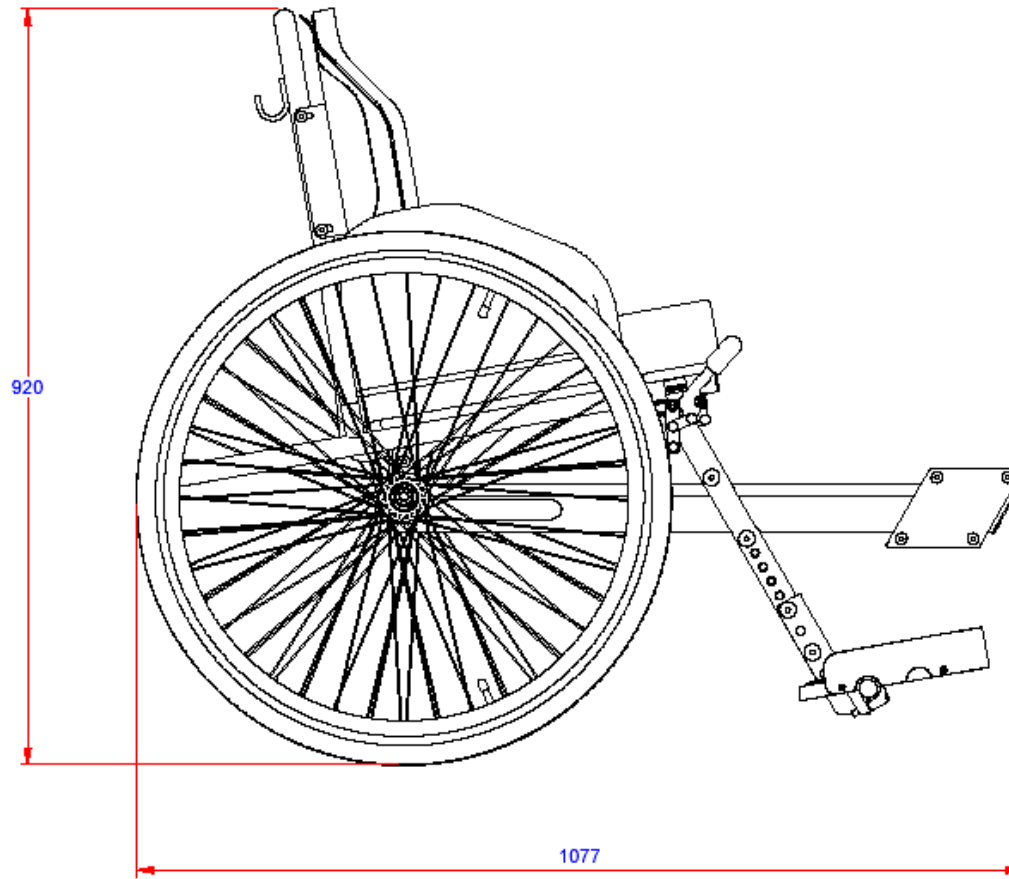
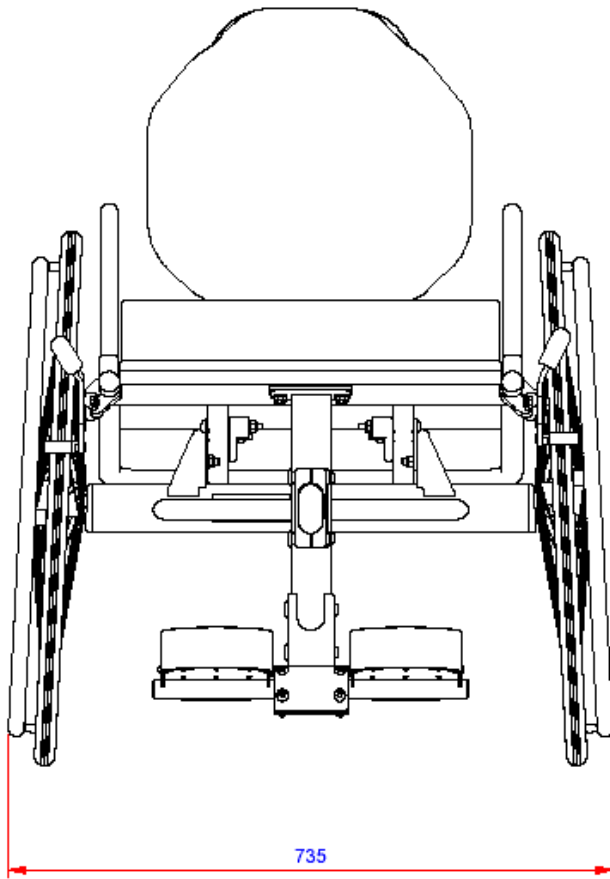
Sacral pad	The backrest comes with a height adjustable sacral pad.
	Performance specifications
Armrests	The chair is supplied with removable aluminium arm supports to facilitate pressure relief lifts, transfers and sitting in a rested position. The armrests also protect both the user and the sides of the cushion from mud.
Backrest	Posturally supportive solid backrest - lateral support, angular/height adjustment and adjustable lumbo-sacral pad. Polyurethane foam padding inside water resistant / fire retardant nylon upholstery.
Box details	Plain brown five ply cardboard with black printed graphics. The packaging is <i>not</i> waterproof. Outside dimensions - 1325 x 195 x 550 (L x W x H)
Brakes	V brake
Chain	A standard bicycle chain is supplied. Chain tension is adjustable.
Chain guard	A chain guard is fitted as standard to protect the user from the chain.
Frame colour	Black.
Gears	The clip-on attachment comes with simple single speed freewheel gear to suit most users.
Cushion	Simplified 70 mm thick polyurethane foam padding inside a water resistant / fire retardant nylon cover.
Lifecycle	The product is designed to provide at least 5 years of service, during normal use and providing it is appropriately maintained. Each user is supplied with an Allen key for home maintenance.
Push rims	Standard WM3 push rims.
Wheels	26" x 1 3/8" diameter rear wheels, with 40 spoke aluminium rims. Robust 40 spoke hub with two 6202 2RS bearings and diameter 12 mm axles. 20" x 1.75" front wheel with 28 hole steel rim.
Seat	Varnished 12 mm plywood seat base (supplied with simplified cushion – see "Cushion").
Standards	This product is ISO 9001 (2008- 2013) and ISO 13845 (2008- 2013) certified.
Finish	Frame components are enamel painted. Standard bicycle components have various finishes.
Transport / storage	The rear wheels and the armrests can be removed. For infrequent transportation the backrest and the drive can be removed with tools.
Tyres	Pneumatic - medium tread.
Weight	Net weight of the tricycle is 24kg. Gross boxed weight is 29kg (in two separate boxes).

Product dimensions



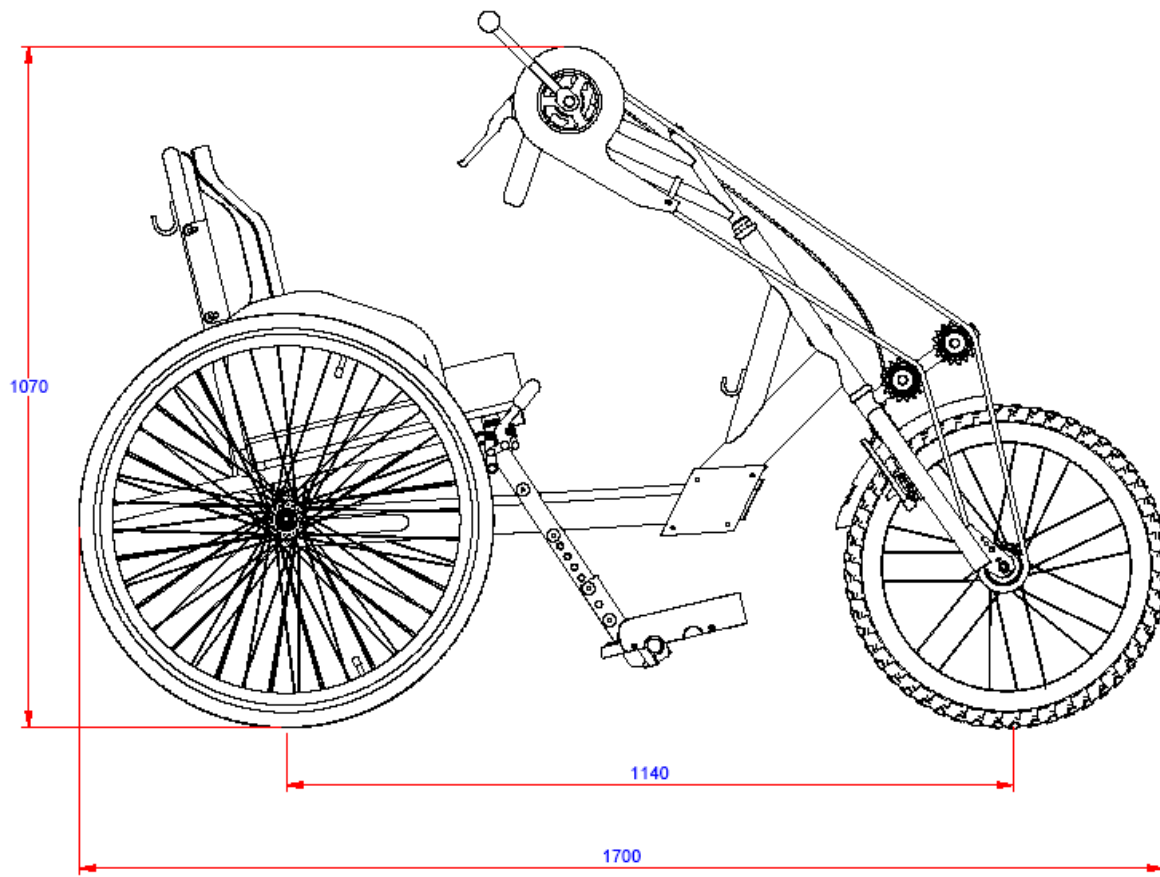
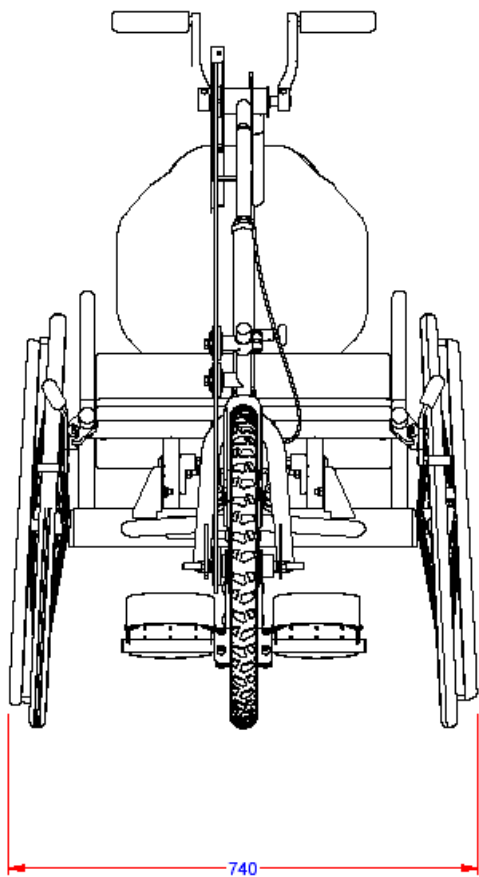
WM3TRDR-01,
Dedicated
Tricycle Drive

Product dimensions



WM3TRCH-01,
Dedicated
Tricycle Chassis

Product dimensions



WM3TR-01,
Complete
Dedicated
Tricycle